

## Rear-view camera interface

### CI-RL-MIB2

#### Compatible to VAG MIB, MIB2 and MIB3 Infotainment Standard & High

Rear-view camera input for connection of an NTSC rear-view camera  
to the factory head-unit

#### Product features

- Plug and Play interface
- Integration to the factory infotainment
- Rear-view camera input (only for NTSC cameras)
- Automatic switching to after-market camera when reverse gear is engaged (coding of vehicle is required)
- Power supply output for rear-view camera max. 1A
- Power supply output ACC (15r) max. 1A

## Table of contents

### 1. Prior to installation

- 1.1. Delivery contents
- 1.2. Checking the compatibility of vehicle and accessories
- 1.3. Coding of the vehicle

### 2. Installation

- 2.1. Place of installation
- 2.2. Connection scheme

### 3. Specifications

## 1. Prior to installation

Read the manual prior to installation.

Technical knowledge is necessary for installation. The place of installation must be free of moisture and away from heat sources.

### 1.1. Delivery contents



Take down the serial number of the interface and store this manual for support purposes: \_\_\_\_\_

## 1.2. Checking the compatibility of vehicle and accessories

### Requirements

Brand	Model	Infotainment
Seat	Alhambra2 (7N) MY 2016- -- Only vehicles with factory OPS --	MIB STD2 PQ/+NAV Media System Plus <i>All-in-One 2DIN head-unit with 1x SD-slot vertical left or 2x SD-slots vertical left+right of 6.33inch monitor</i>
	Arona (KI7) MY 2017-, Ateca (KH7) MY 2017-, Ibiza (6P) MY 2016-, Leon3 (5F) MY 2013-2019, Toledo4 (KG) MY 2016- -- Only vehicles with factory OPS --	MIB/MIB2/MIB3 High/Standard Navigations System Plus or Media System Plus <i>DIN head-unit with separate 5.8inch, 6.5inch, 8inch or 9.2inch monitor</i>
Skoda	Yeti (5L) MY 2015-2017 -- Only vehicles with factory OPS --	MIB STD2 PQ +/NAV Bolero/Amundsen <i>All-in-One 2DIN head-unit with 1x SD-slot vertical left or 2x SD-slots vertical left+right of 6.33inch monitor</i>
	Fabia3 (NJ) MY 2014-, Karoq (NU7) MY 2018-, Kodiaq (NS7) MY 2017-, Octavia3 (5E) MY 2012-, Rapid (NH1) MY 2016-, Superb3 (3V) MY 2015- -- Only vehicles with factory OPS --	MIB/MIB2/MIB3 High/Columbus and Standard/Bolero/Amundsen <i>DIN head-unit with separate 5.8inch, 6.5inch, 8inch or 9.2inch monitor</i>
VW	Amarok (2H) 09(2017-05/2020, Beetle (5C) MY 2015-, Caddy 4 (SA) MY 2016-2020, Scirocco3 (13) MY 2016-, Sharan (7N) MY 2016-, Transporter T6 (SG) 07/2015-10/2019 -- Only vehicles with factory OPS --	MIB STD2 PQ /+NAV Composition Media / Discover Media <i>All-in-One 2DIN head-unit with 1x SD-slot vertical left or 2x SD-slots vertical left+right and CD-drive above the 6.33inch monitor</i>
	Arteon (3H) MY 2018-, Crafter (SZ/SY) MY 2017-, Golf7 MY 2012-, Golf7 Sportsvan MY 2014-, Passat (B8) MY 2016-, Polo5 (6C) MY 2014-2017, Polo6 (AW1) MY 2018-, T-Cross (C1) from 04/2019, T-Roc (A11) MY 2018-, Taigo (CS) 09/2021-, Tiguan2 (AD1) MY 2016-, Touran (5T) MY 2016-, Transporter T6.1 (6H) 10/2019- -- Only vehicles with factory OPS --	MIB/MIB2/MIB3 High/Discovery Pro and Standard/Composition Media* <i>DIN head-unit with separate 5.8inch, 6.5inch, 8inch or 9.2inch monitor</i>
	* <b>NOT</b> compatible to <b>Composition Media</b> with part numbers, as a full coding of the head-unit is not possible on these: <i>see next page:</i>	

## Limitations

<b>VW</b>	<p>* <b>NOT</b> compatible to <b>Composition Media</b> with part numbers, as a full coding of the head-unit is not possible on these:</p> <p>3Q0035812 3Q0035819, 3Q0035819A, 3Q0035819B, 3Q0035819C 3Q0035820, 3Q0035820A, 3Q0035820B, 3Q0035820C 5G0035812 5G0035819, 5G0035819A, 5G0035819B, 5G0035819C 5G0035820, 5G0035820A, 5G0035820B, 5G0035820C</p> <p>The letter at the end is merely the software version of the head-unit, newer versions are likely to not be compatible as well! Only the last 6 digits/numbers are relevant.</p> <p>The part number of the head-unit can be displayed on the monitor: <i>Menu button-&gt;Setup-&gt;System-Information-&gt;part number device</i></p>
-----------	-----------------------------------------------------------------------------------------------------------------------------------------------------------------------------------------------------------------------------------------------------------------------------------------------------------------------------------------------------------------------------------------------------------------------------------------------------------------------------------------------------------------------------------------------------------------------------------------------------------------------------------------------------------------------------------------------------------------------------

**Coding**                      Vehicle must be coded by diagnosis computer to rear-view camera. The vehicle can only be coded if it is equipped with a factory optical parking distance system with graphical display on the monitor.

**After-market rear-view camera**                      Compatible only with NTSC cameras.

## 1.3. Coding of the vehicle

Alternatively to the coding via VCDS software described here, the camera coding can be done by the separately available coding dongle “OB31-R”.

In order for an MIB-based factory head-unit to switch to the rear-view camera input picture when reverse gear is engaged, the vehicle needs to be coded correctly. **This coding is not part of the product RL-MIB2** and must be done with a diagnosis tool in combination with coding software.

*Below as example, coding with VCDS software – no liability for correctness!*

Changes in vehicle or coding software are subject to changes which may lead to different coding requirements. In this case contact the supplier of your coding software.

*Coding example for a vehicle with optically park distance display (OPS) – German VCDS*

Choose „10-Einparkhilfe 2“



Choose „Zugriffsberechtigt 16“



Enter code „71679“ – no liability



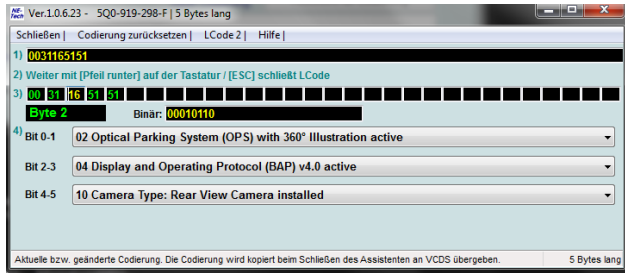
Choose „Codierung – 07“



## Choose „Assistent für Codierung“



## Set bit 4 to „Rear View Camera Installed“



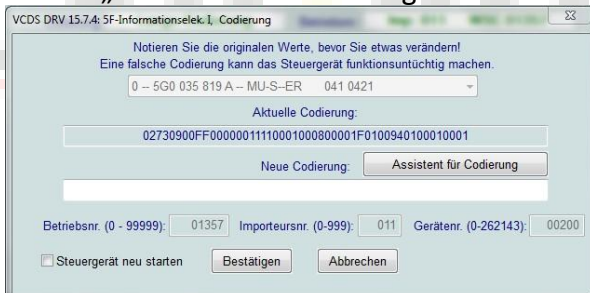
## Choose „5F-Informationselek. I“



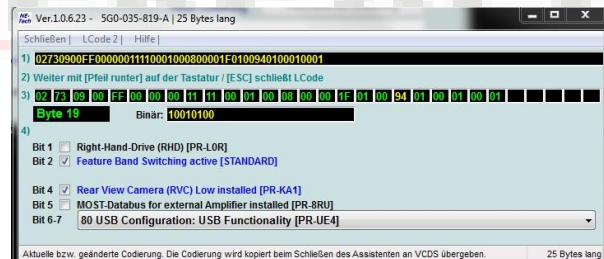
## Choose „Codierung – 07“



## Choose „Assistent für Codierung“



## In Byte 19 set bit 4 to „Rear View Camera installed“



After coding, head-unit must be reset. On most head-units by long-pressing (about 20 seconds) of the ON/OFF key.

## 2. Installation

**To install the interface, first switch off the ignition and disconnect the vehicle's battery. Please read the owner's manual of the car, regarding the battery's disconnection! If required, enable the car's Sleep-mode (hibernation mode) In case the sleep-mode does not succeed, the disconnection of the battery can be done with a resistor lead.**

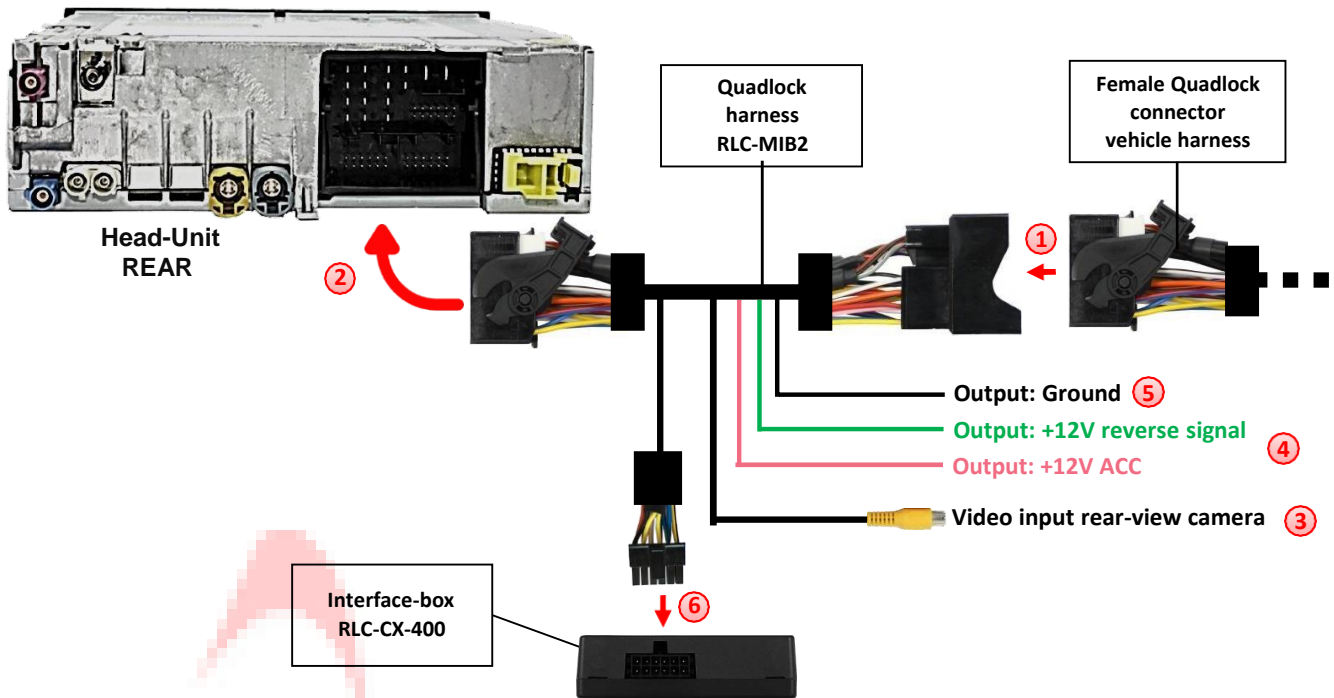
### 2.1. Place of installation

The interface is installed on the rear of the factory head-unit. At least 3 versions of head-units can be distinguished:

1. Radio/nav-computer with drive in the glove-box
2. Black-box separately behind the monitor
3. Integrated as all-in-one head-unit with monitor



## 2.2. Connection scheme

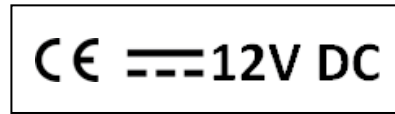


- 1 Disconnect the female Quadlock connector of the vehicle harness from the rear of the head unit and connect it to the male Quadlock connector of the interface Quadlock harness.
- 2 Connect the female Quadlock connector of the interface Quadlock harness to the previously released male Quadlock connector of the head unit.
- 3 Connect the male RCA connector of the after-market rear-view camera to the video input (yellow female RCA connector) of the interface Quadlock harness.
- 4 The power supply for the after-market rear-view camera can be provided via the **green cable** (+12V, max. 1A) of the interface Quadlock harness. The **pink cable** can be used as an alternative or parallel power supply for another source (+12V ACC, max 1A).
- 5 The ground supply for the after-market rear-view camera or for another source can be made via the **black cable** of the interface Quadlock harness.
- 6 Connect female 12pin Molex connector of harness RLC-MIB2 to male 12pin Molex connector of CAN-box RLC-CX-400.



## 3. Specifications

Video input formats	NTSC
Operation voltage	10.5 – 14.8V
Stand-by power drain	<3mA
Operating current	50mA
Max current per output	1A
Temperature range	-30°C till +80°C
Weight	38g
Measurements (box only) W x H x D	71 x 22 x 50 mm



**Legal disclaimer:** Mentioned company and trademarks, as well as product names/codes are registered trademarks ® of their corresponding legal owners.

