

## **c.LOGiC-Interface**

### **CI-C1-RNSE**

## **Compatible with navigation systems Audi Navi Plus RNS-E**

Only for vehicles WITHOUT factory rear-view camera

### **Product features**

- full plug and play multimedia interface
- 1 AV-input with separate IR-control channel
- control of after-market devices, e.g. DVB-T tuner, DVD-player, DVD-changer, ...
- after-market rear-view camera input
- automatic switching to rear-view camera input (optional coding necessary to switch from OEM-modes)
- rear-view camera power (+12V max. 1A)
- rear-seat-entertainment AV-output
- power on remote out trigger signal (+12V max. 1A) to switch on connected devices

## Contents

### 1. Prior to Installation

- 1.1. Delivery contents
- 1.2. Check compatibility of vehicle and accessories

### 2. Connection schema

### 3. Installation

- 3.1. Interconnecting Interface-box and harness
- 3.2. Connections to head-unit
- 3.3. Connecting peripheral devices
  - 3.3.1. AV-source
  - 3.3.2. Installing AV-source's IR-sensor additionally
  - 3.3.3. After-market rear-view camera

### 4. Operation

- 4.1. Selecting the c.LOGiC as current AV-source
- 4.2. Assigning device control
- 4.3. Remote functions
- 4.4. Picture settings

### 5. Specifications

### Appendix A – Device control table

## Legal Information

By law, watching moving pictures while driving is prohibited, the driver must not be distracted. We do not accept any liability for material damage or personal injury resulting, directly or indirectly, from installation or operation of this product. This product should only be used while standing or to display fixed menus or rear-view-camera video when the vehicle is moving, for example the MP3 menu for DVD upgrades.

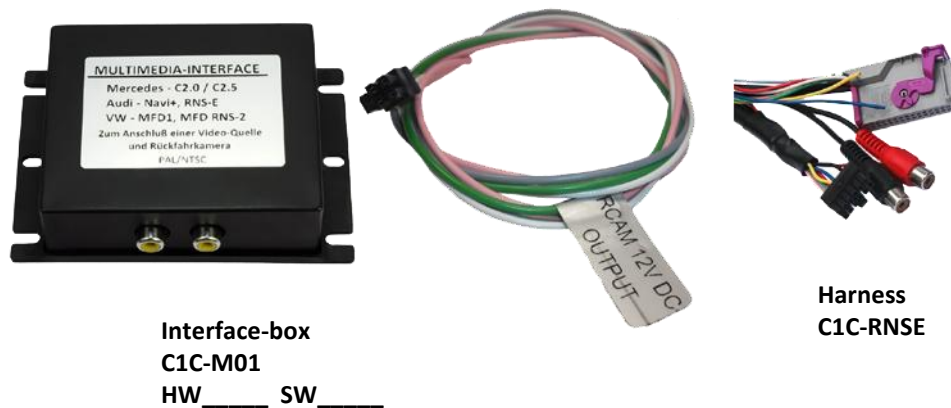
Changes/updates of the vehicle's software can cause malfunctions of the interface. We offer free software-updates for our interfaces for one year after purchase. To receive a free update, the interface must be sent in at own cost. Labor cost for and other expenses involved with the software-updates will not be refunded.

## 1. Prior to installation

Read the manual prior to installation. Technical knowledge is necessary for installation. The place of installation must be free of moisture and away from heat sources.

### 1.1. Delivery contents

*Take down the SW-version and HW-version of the interface boxes, and store this manual for support purposes.*

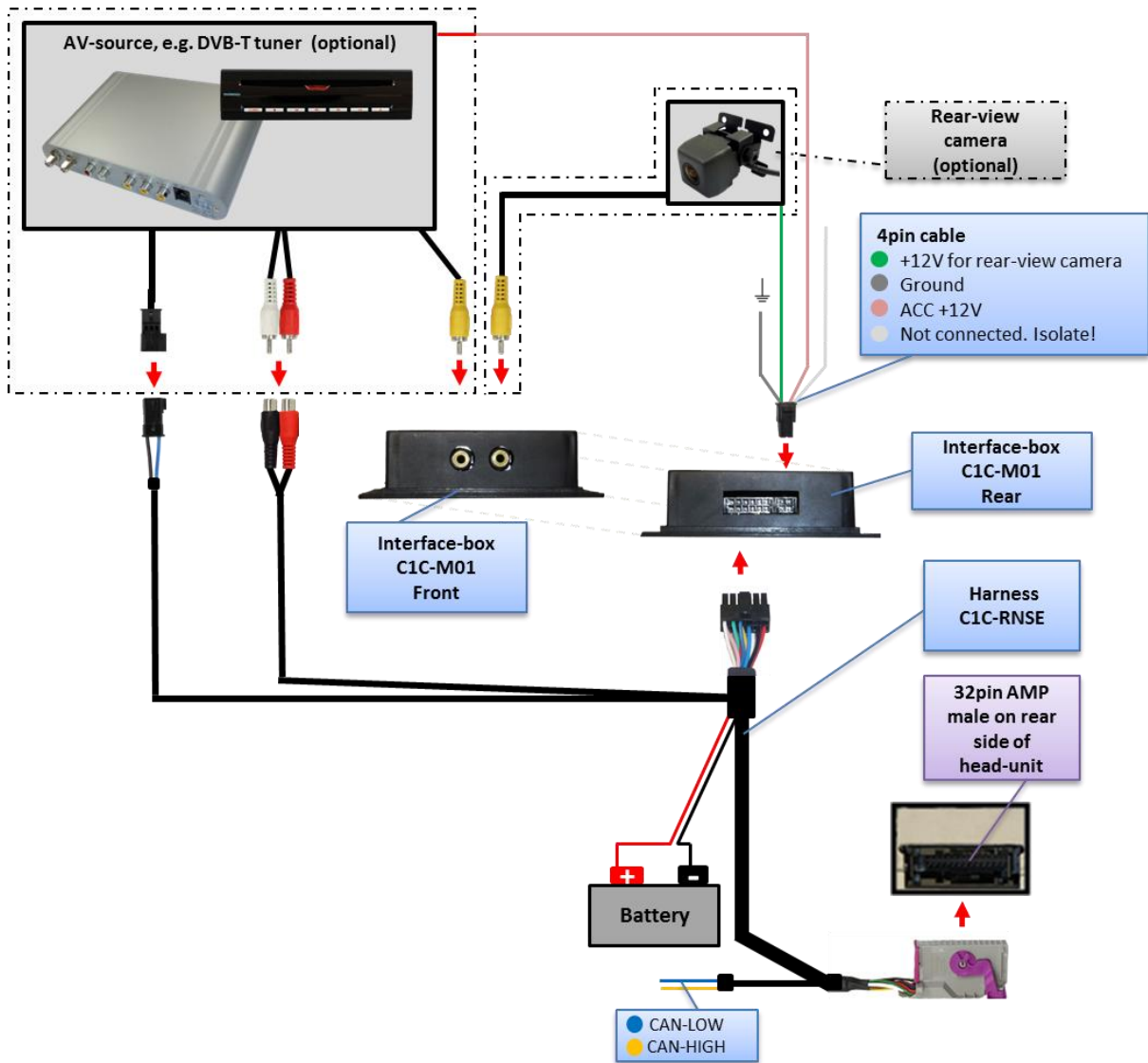


If remote function for the connected devices shall be used, additional an IR-remote cable and Y-adapter are needed, see chapter [AV-source](#) .

1.2. Check compatibility of vehicle and accessories

Requirements	
<i>Vehicle</i>	Audi A3 (8L, 8P & 8P Sport), A4 (Cabrio 8H/B7/8E, B6/8E), A6 (4B), TT (8J), Lamborghini
<i>Navigation</i>	Audi Navi Plus RNS-E all-in-one navigation 16:9
Limitations	
<i>Factory-TV-tuner</i>	Must NOT be installed.
<i>After-market rear-view camera</i>	Only compatible with NTSC-cameras. Automatic switching to camera from OEM mode only works after coding the head-unit to rear-view camera per diagnosis computer (Only possible on RNS-E with minimum software 550 and till year 2010).

2. Connection schema

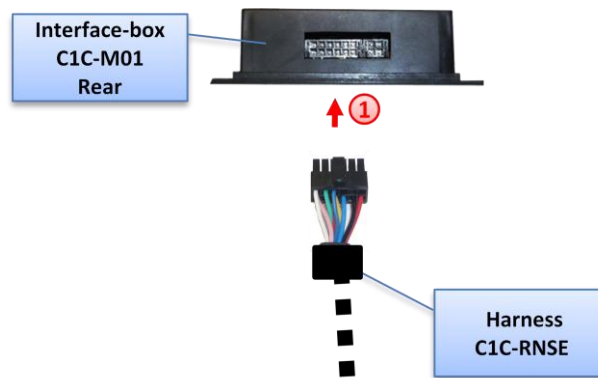


## 3. Installation

**Switch off ignition and disconnect the vehicle's battery! If according to factory rules disconnecting the battery has to be avoided, it is usually sufficient to put the vehicle in sleep-mode. In case the sleep-mode does not show success, disconnect the battery with a resistor lead.**

Place of installation is behind the head-unit.

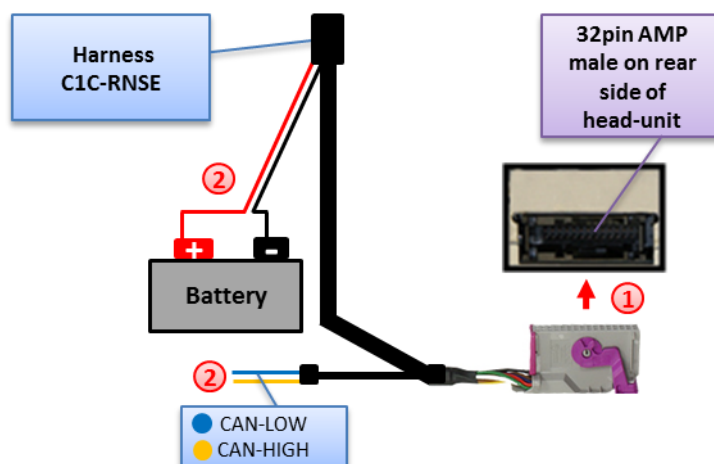
### 3.1. Interconnecting Interface-box and harness



- 1 Plug harness C1C-RNSE into 12pin Molex of Interface-box C1C-RNSE.

## 3.2. Connections to head-unit

Remove the head-unit from the dash-board.

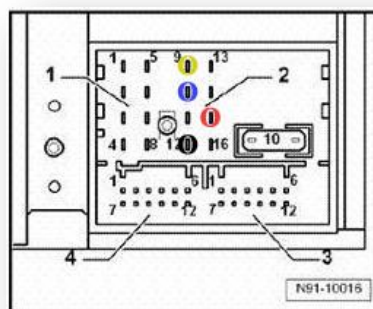


- 1 Plug female 32pin AMP-connector of C1C-RNSE into male 32pin AMP-socket of head-unit.

**Note:** If the 32pin AMP-socket of the head-unit is already occupied, the vehicle probably has a factory rear-view camera or a factory TV-tuner. In case of a factory tuner, it must be uninstalled: disconnect the female 32pin AMP-connector of the factory harness and disconnect all wires from the factory TV-tuner. In case of a factory rear-view camera you have ordered/received the wrong product, call for support.

- 2 Connect the loose red cable to +12V battery, the loose black cable to ground, the loose yellow cable to CAN-HIGH and the loose blue cable to CAN-LOW of the vehicle.

Pin of Quadlock	Assignment
Pin 15	+12V Permanent
Pin 12	Ground
Pin 9	CAN HIGH 9
Pin 10	CAN LOW



Quadlock male of vehicle

**No liability for vehicle wire colors and pin definition! Possible changes by the vehicle manufacturer. The given information must be verified by the installer.**

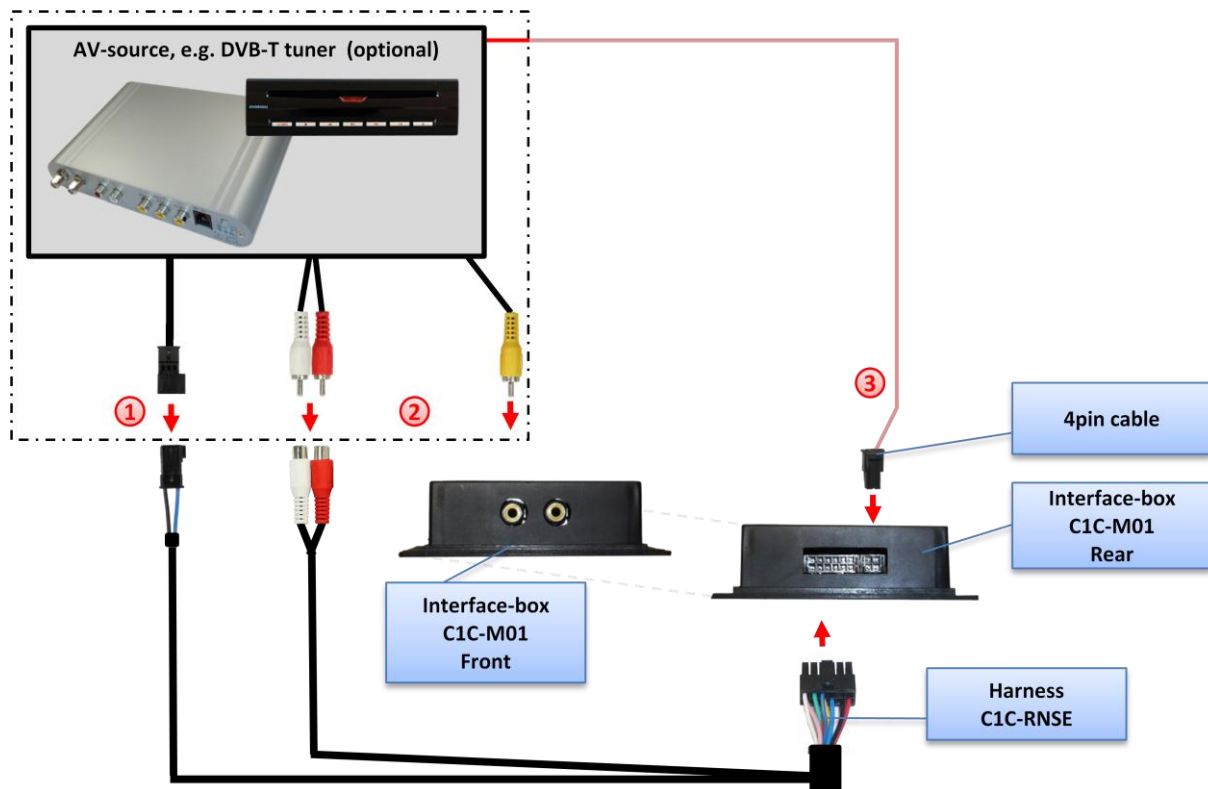
### 3.3. Connecting peripheral devices

It is possible to connect one after-market AV-source and an after-market rear-view camera to the c.LOGiC Interface.

**Before final installation of the peripheral devices, we recommend to test-run the c.LOGiC functions to detect incompatibility of vehicle, navigation, factory accessories or peripheral devices as soon as possible.**

#### 3.3.1. AV-source

The c.LOGiC interface has the possibility to connect and remotely control by navigation buttons one pre-programmed device. The device list in the device control table (Appendix A) shows the pre-programmed remote channels and the related IR-remote cables STA-xxx which must be ordered separately for the control of the device.

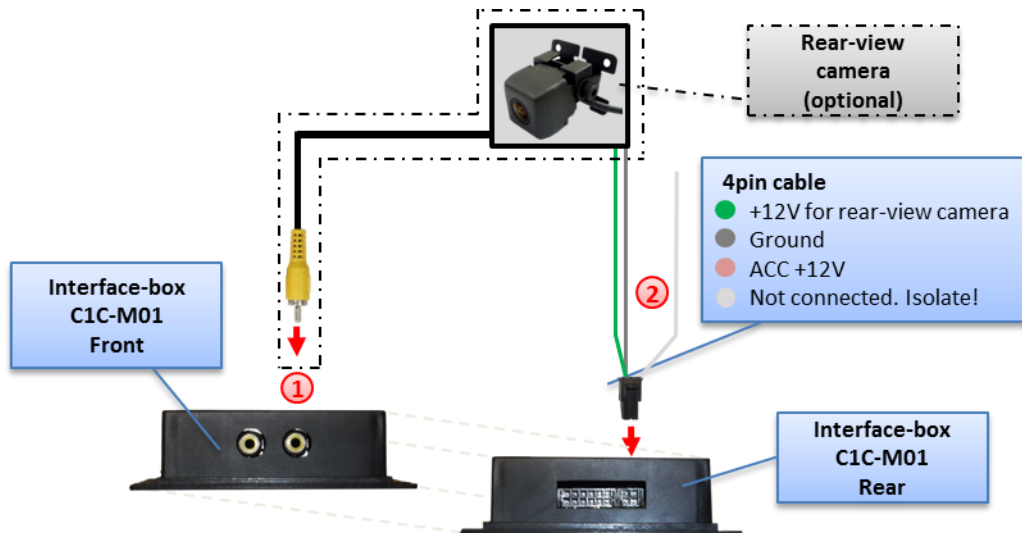


- ① Using the respective STA-xxx IR-control cable, interconnect the blue female 3pin AMP connector of harness C1C-RNSE and the IR-port of the AV-source.
- ② Using an RCA-cable, interconnect the female RCA-port Video In of the Interface-box C1C-M01 Front with the AV-output of the AV-source.
- ③ The pink ACC-output wire (+12V max. 1A) of the 4pin cable can be connected to the ACC-input wires of the connected device to switch it on. It carries +12V when the head-unit is running.

### 3.3.2. Installing AV-source's IR-sensor additionally

Additionally to the control via OEM navigation, it is possible to install the original IR-sensor of a connected device. By using the respective Y-adapter (e.g. STA-Y35MM or STA-RJ12) for the IR-Port of the connected device, the controls of navigation AND device's IR-sensor can be connected and used simultaneously. Installation of the IR-sensor is recommended as the controls via navigation are limited, and not all functions may be covered.

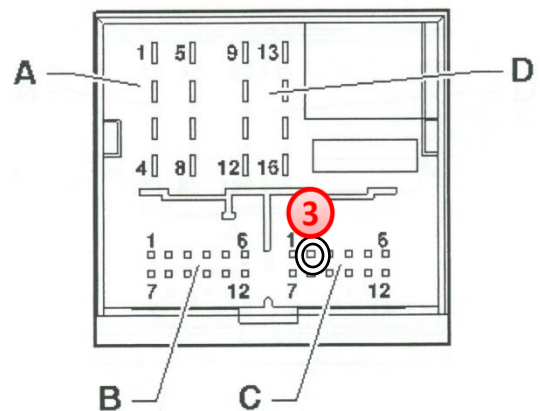
### 3.3.3. After-market rear-view camera



- ① Connect the video RCA of the after-market rear-view camera to female RCA connector R-CAM IN of Interface-box C1C-M01.
- ② Connect the green wire of the 4pin cable to the camera power supply (+12V max. 1A) of the after-market rear-view camera and the grey wire to ground of the vehicle. The green wire is high (+12V max. 1A) when reverse gear is engaged. The white wire of the 4pin cable is not connected and has to be isolated. In some cases it is possible that the automatic switching does not work. In this case connect the white wire to the reverse gear light (+12V).
- ③ Connect pin 2 of chamber C of the Quadlock to reverse gear light (+12V) (loose white cable included in harness C1C-RNSE).

**Note:** Only compatible with NTSC-cameras.

Automatic switching on reverse gear from OEM mode to camera input only works after coding the head-unit per diagnosis computer (Only possible on RNS-E with minimum software 550 and till year 2010).



If coding is done by diagnosis PC, code rear-view camera to value 1 in channel 04, controller 56. After coding the vehicles needs to be locked for at least 66 minutes to reach general sleep mode.



## 4. Operation

### 4.1. Selecting the c.LOGiC as current AV-source

Push the **CD/TV** button of the head-unit to choose the c.LOGiC as current AV-source.



### 4.2. Assigning device control

After selecting the c.LOGiC as current AV source, longpress key **SETUP**. The FIS will display “TV 1” and “RC01”. Turn right knob until the device-related IR-code as described in device control table for the AV-source (appendix A) is reached. Push right knob to confirm the assignment.

**Note:** The IR-control channel TV1 is preset to RC-Code 41 compatible DVB-T tuners.

### 4.3. Remote function

The button assignment table shows which functions of the connected devices can be executed by head-unit buttons. Once the AV-input is activated, the head-unit button in the left column will execute the function described in the corresponding device column. The function description equals the remote control buttons of the optional c.LOGiC remote control or the additional device. On the additional device the writing may vary (e.g. AV instead of Source).



Button assignment table c.LOGiC Audi Navi Plus RNS-E						
Head-unit button	DVB-T	USB-LiNK	DVD-player	DVD-changer	iPod®-control	Analog-tuner
1	CH -	TRACK -	TRACK -	TRACK -	TRACK -	CH -
1 long	EPG	POWER	PBC	PBC	SHUFFLE	FM
2	CH +	TRACK +	TRACK +	TRACK +	TRACK +	CH +
3	OK	OK / PLAY	OK	OK	OK	MODE
4	↑	↑	↑	↑	↑	VOL +
5	↓	↓	↓	↓	↓	VOL -
6	→	→	→	→	→	CH +
6 long	SCAN	VOL+	PLAY	PLAY	PLAY	SCAN
7	←	←	←	←	←	CH -
7 long	POWER	VOL-	AV	DISC	EJECT	MODE
8	EXIT	EXIT	STOP	STOP	PLAY	MUTE
9	MENU	SETUP	SETUP	SETUP	LIGHT	ADJUST

#### 4.4. Picture settings

To enter the picture settings menu **longpress** the **RETURN** button.

The picture settings menu always starts with the brightness settings. The respective current picture value is displayed on the instrument panel.


**Press** the **knob** to change from brightness to colour and contrast (after contrast, the interface starts again with brightness).

**Turn** the **knob** to change the current picture value. To quit the settings menu press **RETURN**-button.



## 5. Specifications

Operation voltage	10.5 – 14.8V DC
Stand-by power drain	<1mA
Operation power drain	240mA
Power consumption	3W
Temperature range	-30°C to +80°C
Weight	75g
Measurements (box only) B x H x T	106 x 30 x 71 mm

CE  12V DC

**Legal disclaimer:** Mentioned company and trademarks, as well as product names/codes are registered trademarks ® of their corresponding legal owners.