

v.LOGiC Intelligent Solution Interface

CI-V4-CCC

**Compatible with E-series BMW and Mini with
navigation system or radio and 6.5" or 8.8"
monitor with 10pin BMW LVDS connector**



Product features

- Plug and play media-controller with controls by factory infotainment (iDrive)
- Own on-screen display and setup
- On 8.8" 24:10 ultrawide monitor 5 picture format modes (1 split-mode with factory video, 4:3, 16:9, full screen and zoom)
- On 6.5" 16:9 monitor 3 picture format modes (4:3, full screen and zoom)
- 3 AV-inputs
- Controls of after-market devices (e.g. DVB-T tuner, DVD-player, DAB-Tuner) by factory infotainment (iDrive)
- 2 trigger outputs (+12V max. 1A), separately adjustable switching events
- Video-in-motion
- Rear-view camera input
- Automatic switching to rear-view camera input on engagement of reverse gear from all operation modes
- AV3 can be used for front camera (automatic on parking operation, automatic return at 20km/h)
- Manual switching to rear-view camera (only for vehicles with PDC button)
- Manual return from rear-view and front camera (cancellation of automatic switching)
- Picture-in-picture mode combining after-market rear-view and front camera picture(s) with factory parking sensor graphics
- Compatible with all factory video accessories (e.g. rear-view camera, Top-View, Nightvision, DVD-changer, TV-tuner)
- Rear-seat-entertainment output for AV-sources connected to the interface
- USB update-port for software-updates by consumer

Contents

1. Prior to Installation

- 1.1. Delivery contents
- 1.2. Check compatibility of vehicle and accessories
- 1.3. Setting the dip switches of the interface-box V4C-M631
- 1.4. LED's of the interface-box V4C-M631

2. Connection schema -

3. Installation

- 3.1. Connecting interface-box and harnesses
- 3.2. Connection to the factory monitor
- 3.3. Quadlock connector
- 3.4. Connection to the vehicle-AUX-input
- 3.5. Connecting peripheral devices
 - 3.5.1. AV-source(s)
 - 3.5.2. After-market front camera
 - 3.5.2.1. Connection to the after-market front camera
 - 3.5.2.2. Settings for connecting an after-market front camera
 - 3.5.3. After-market rear-view camera
 - 3.5.3.1. Connection to the after-market rear-view camera
 - 3.5.3.2. Settings for connecting an after-market rear-view camera
 - 3.5.4. After-market navigation
 - 3.5.4.1. Connection to the after-market navigation by RGB
 - 3.5.4.2. Settings for connecting an after-market navigation by RGB
 - 3.5.5. Rear-seat-entertainment
 - 3.5.6. Configurable trigger outputs
- 3.6. Picture settings
 - 3.6.1. Picture format
 - 3.6.2. Picture settings

4. Operation

- 4.1. OSD – On-screen display
 - 4.1.1. OSD – Operation
 - 4.1.1.1. 1- and 2-button iDrive
 - 4.1.1.2. 2-button iDrive in Mini
 - 4.1.2. OSD – Additional setting options
- 4.2. Video-in-motion function
- 4.3. Selecting the interface as current AV-source
- 4.4. Assigning device controls
- 4.5. Controlling the connected AV-sources
 - 4.5.1.1. Controlling by 1- and 2-button iDrive
 - 4.5.1.2. Controlling by 2-button iDrive in Mini

5. Specifications

6. Connections (interface-box)

Appendix A – Device control table

Legal Information

By law, watching moving pictures while driving is prohibited, the driver must not be distracted. We do not accept any liability for material damage or personal injury resulting, directly or indirectly, from installation or operation of this product. This product should only be used while standing or to display fixed menus or rear-view-camera video when the vehicle is moving, for example the MP3 menu for DVD upgrades.

Changes/updates of the vehicle's software can cause malfunctions of the interface. We offer free software-updates for our interfaces for one year after purchase. To receive a free update, the interface must be sent in at own cost. Labor cost for and other expenses involved with the software-updates will not be refunded.

1. Prior to installation

Read the manual prior to installation. Technical knowledge is necessary for installation. The place of installation must be free of moisture and away from heat sources.

1.1. Delivery contents



1.2. Check compatibility of vehicle and accessories

Requirements	
<i>Vehicle</i>	1series (E81/82/87/88), 3series (E90/91/92/93), 5series (E60/61), 6series (E63/64), X5 (E70), X6 (E71), Mini from approx 10/2006 til approx 08/2010
<i>Navigation</i>	E-series and Mini with navigation system or radio with 6.5" or 8.8" monitor with 10pin BMW LVDS connector
<i>Audio-AUX</i>	A factory audio-AUX input is required. On some head-units it is already activated. If not, it is necessary to code the head-unit to audio-AUX by diagnosis computer or with our optional available OBD-coders. The following OBD-coders are available: OBD-ASK-X-01 for Business-navigation M-ASK OBD-RAD2-X-01 for radios OBD-CCC-X-01 for Professional navigation CCC

1.3. Setting the dip switches of the interface-box V4C-M631

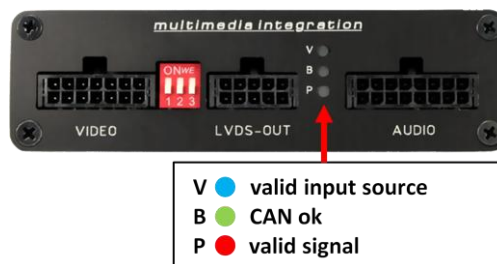
Dip 1 and 2 on the back of the interface-box V4C-M631 are used to set the monitor type. The default setting is:

Vehicle/ navigation	Dip 1	Dip 2	Dip 3
M-ASK - version 1	OFF	OFF	OFF
M-ASK - version 2	OFF	ON	OFF
CCC - version 1	ON	OFF	OFF
CCC - version 2	ON	OFF	ON

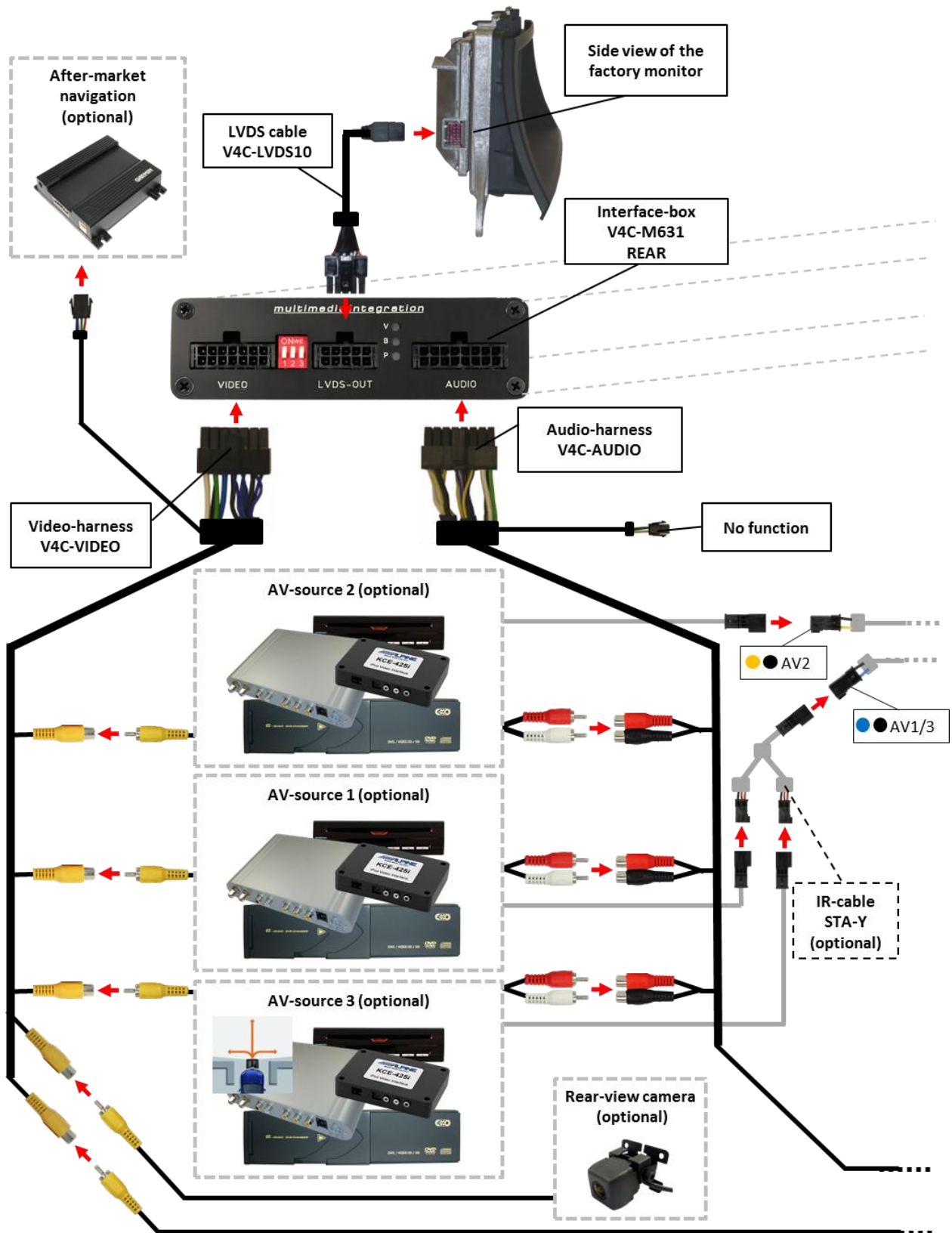
After each change of the dip switch settings you have to execute a power reset of the interface interface-box!

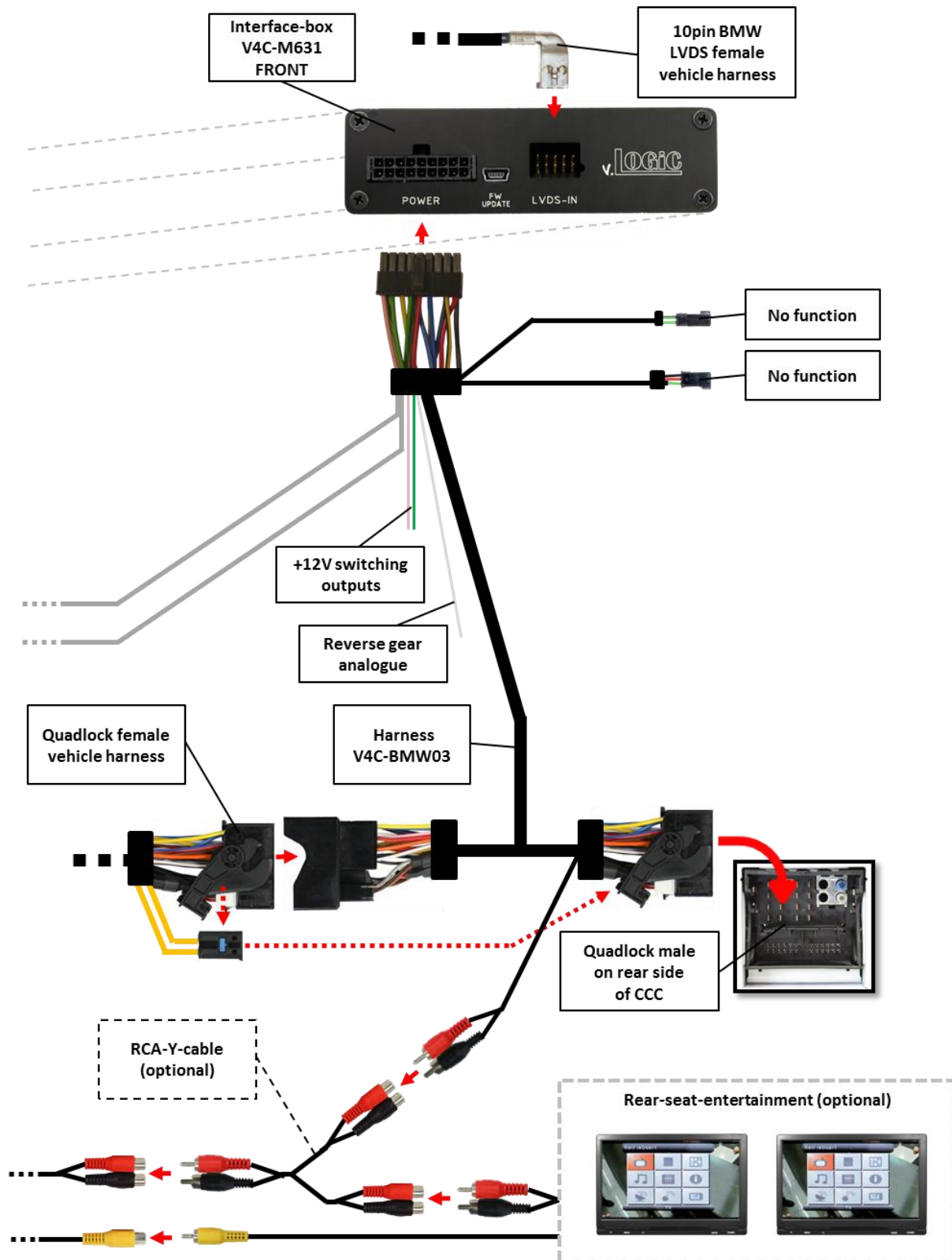
Note: Dip 2 +3 no function.

1.4. LED's of the interface-box V4C-M631



2. Connection schema





3. Installation

Switch off ignition and disconnect the vehicle's battery! The interface needs a permanent 12V source. If according to factory rules disconnecting the battery is to be avoided, it is usually sufficient to put the vehicle in sleep-mode. In case the sleep-mode does not show success, disconnect the battery with a resistor lead.

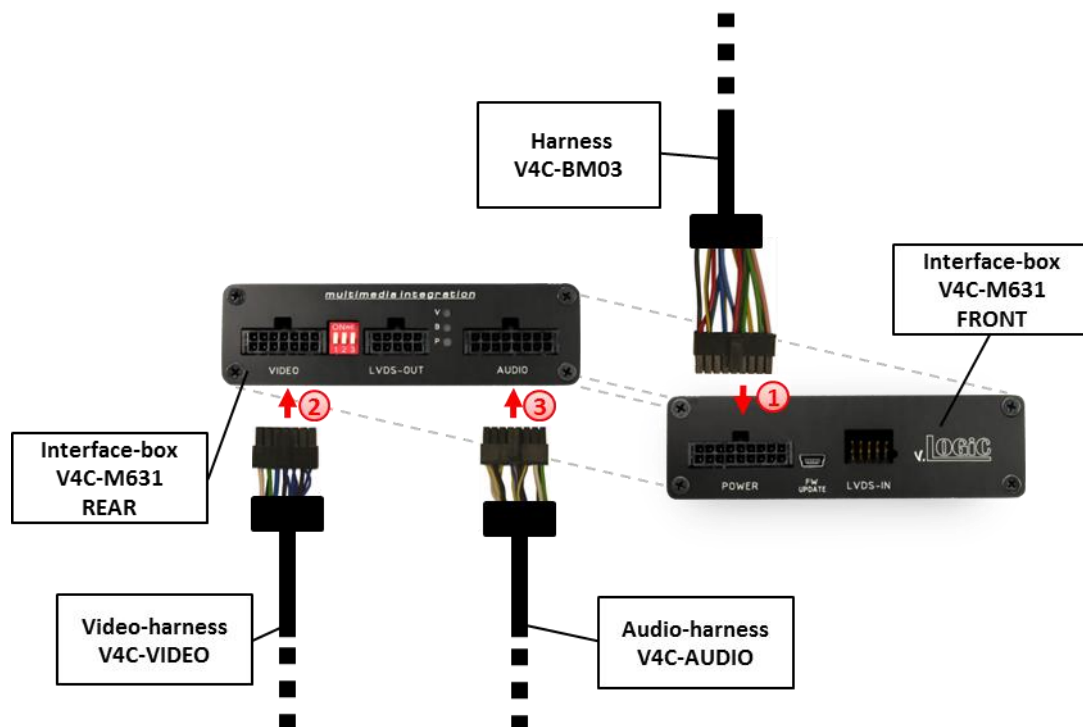
If power source is not taken directly from the battery, the connection has to be checked for being start-up proven and permanent.

Prior to wire and device installation we suggest to connect and test correct function of all after-market and factory infotainment equipment!

Carry out and test necessary codings of factory equipment prior to the rest of the installation.

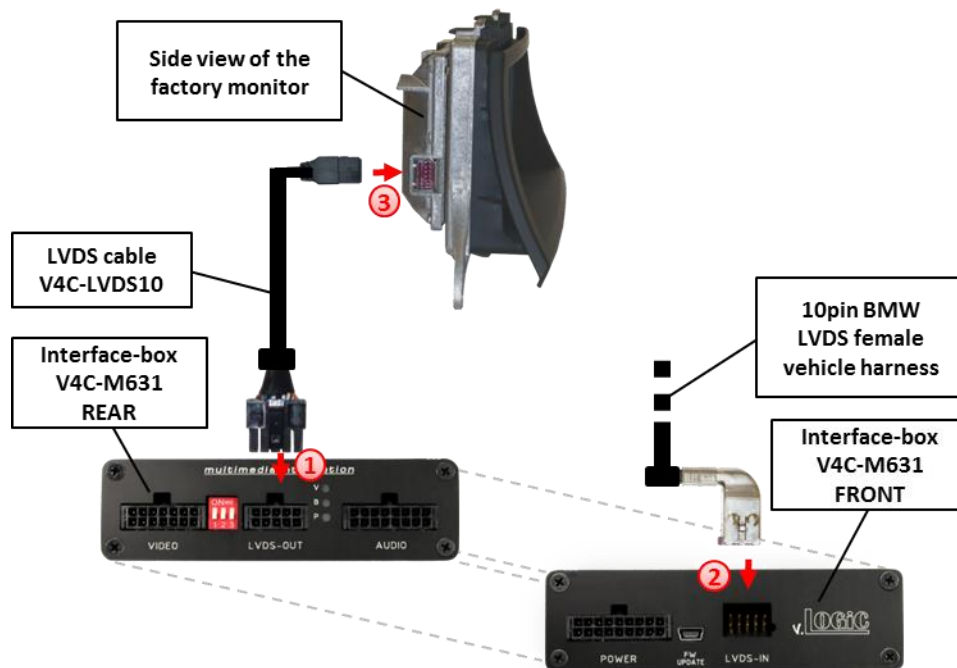
The interface is installed on the backside of the factory monitor and on the backside of the navigation computer.

3.1. Connecting interface-box and harnesses



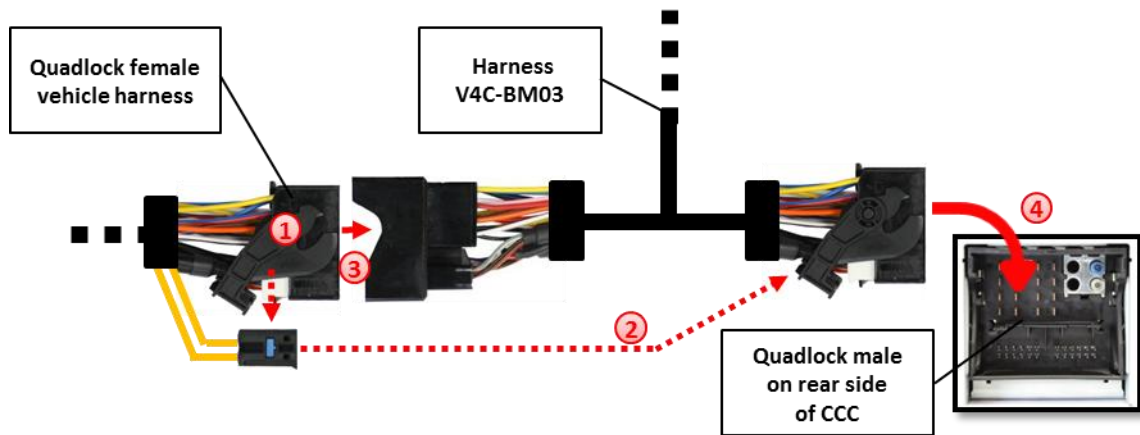
- ① Connect female 18pin Micro-Fit connector of harness V4C-BM03 to the male 18pin Micro-Fit connector (POWER) on the front of the interface-box V4C-M631.
- ② Connect female 14pin Micro-Fit connector of the video-harness V4C-VIDEO to the male 14pin Micro-Fit connector (VIDEO) on the rear of the interface-box V4C-M631.
- ③ Connect female 16pin Micro-Fit connector of the audio-harness V4C-AUDIO to the male 16pin Micro-Fit connector (AUDIO) on the rear of the interface-box V4C-M631.

3.2. Connection to the factory monitor



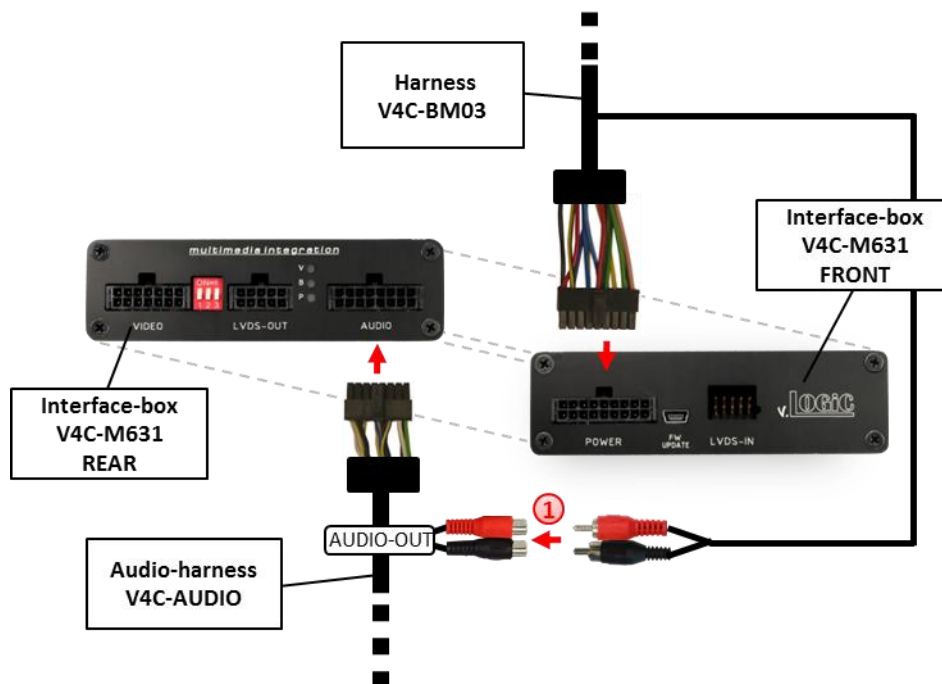
- ① Connect the female 10pin Micro-Fit connector of the LVDS cable V4C-LVDS10 to the male 10pin Micro-Fit connector (LVDS-OUT) on the rear of the interface-box V4C-M631.
- ② Remove the female 10pin BMW LVDS connector of the vehicle harness at the side of the factory monitor and connect it to the male 10pin BMW LVDS connector (LVDS-IN) on the front of the interface-box V4C-M631.
- ③ Connect the female 10pin BMW LVDS connector of the LVDS cable V4C-LVDS10 to the male 10pin BMW LVDS connector of the factory monitor.

3.3. Quadlock connector



- ① Remove the female Quadlock connector of the vehicle harness from the rear of the navigation computer.
- ② Remove optical leads from the female Quadlock connector of the vehicle harness and insert them into the female Quadlock connector of harness V4C-BM03 at the same position.
- ③ Connect female Quadlock connector of vehicle harness to the male Quadlock connector of harness V4C-BM03.
- ④ Connect female Quadlock connector of harness V4C-BM03 to the male Quadlock connector of the navigation computer

3.4. Connection to the vehicle-AUX-input



- ① Connect the audio-RCA of harness V4C-BM03 to the female RCA-connectors AUDIO OUT of the audio-harness V4C-AUDIO.

Note: If connecting a rear-seat-entertainment an optional RCA Y-cable is plugged in between, see chapter “Rear-seat-entertainment”

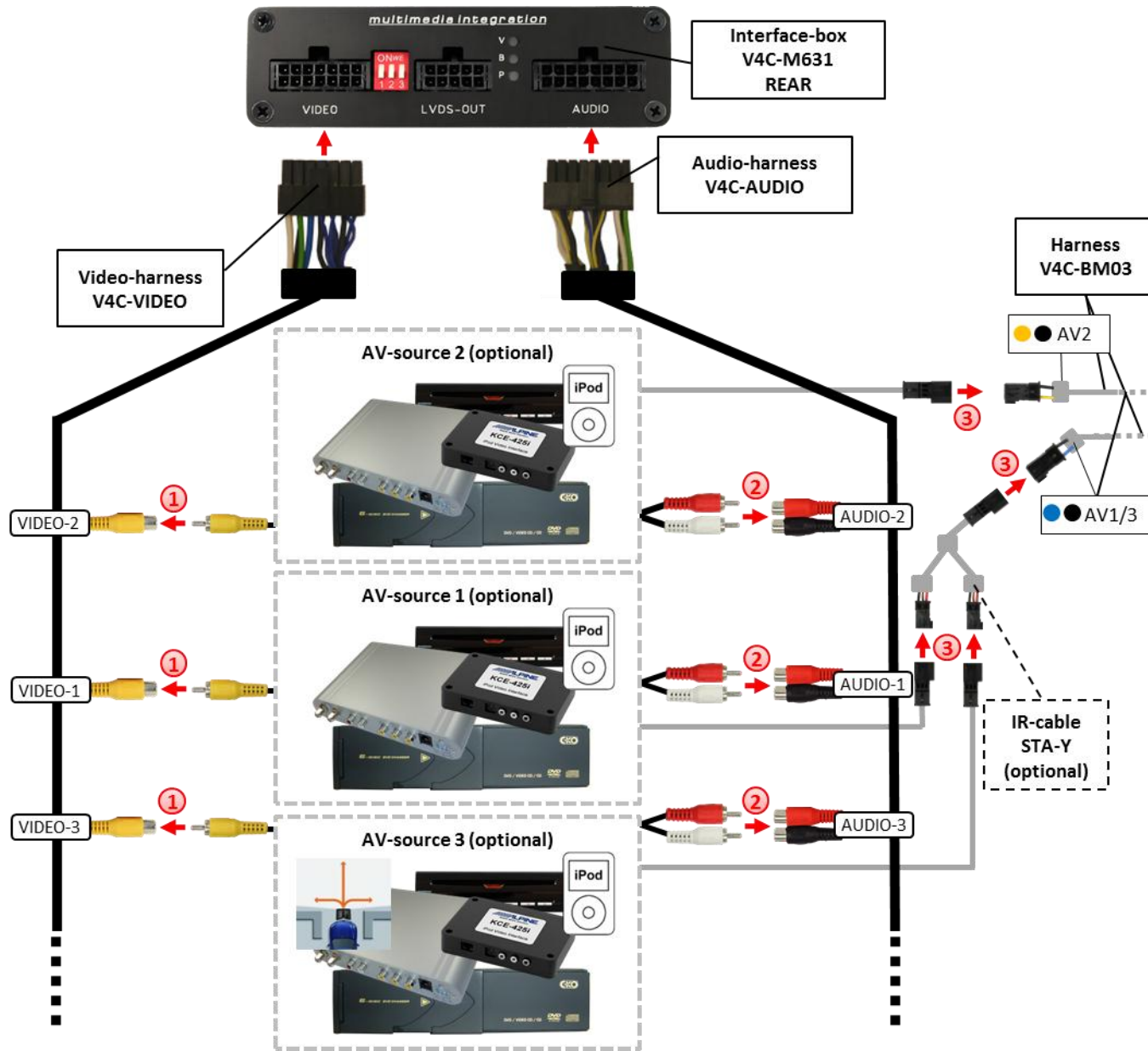
3.5. Connecting peripheral devices

It is possible to connect 3 after-market AV-sources, therefrom optional an after-market front camera, an after-market rear-view camera, an after-market navigation and rear-seat-entertainment to the interface interface.

Before final installation of the peripheral devices, we recommend a test-run to detect incompatibility of vehicle and interface. Due to changes in the production of the vehicle manufacturer is always the possibility of incompatibility.

3.5.1. AV-source(s)

The interface has the possibility to connect and remotely control by navigation buttons 3 pre-programmed devices. The device list in the device control table (appendix A) shows the pre-programmed remote channels and the related IR-remote cables STA-xxx which must be ordered separately for the control of the device.

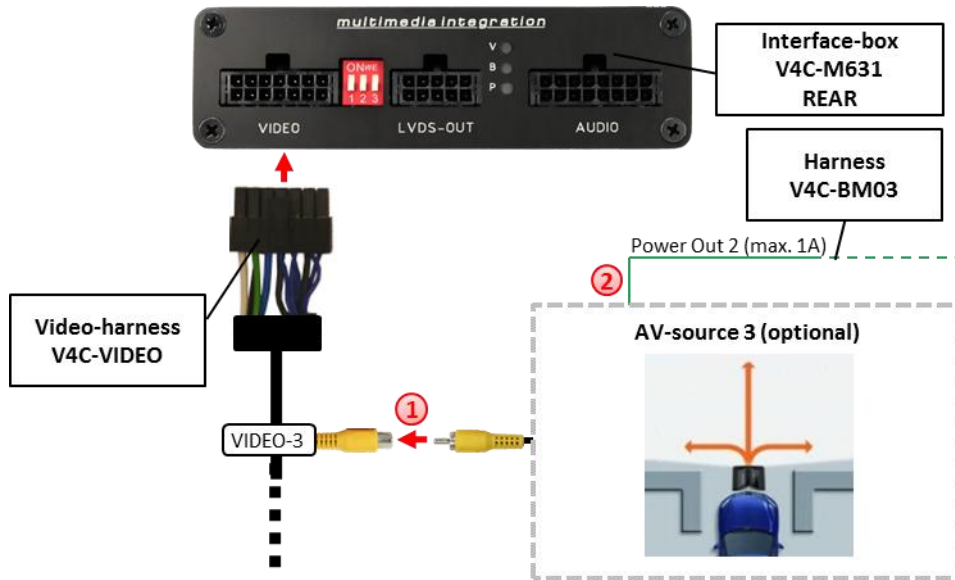


- ① Connect video RCA of AV-source 1 to female RCA connector VIDEO-1, the video RCA of AV-source 2 to female RCA connector VIDEO-2 and video RCA of AV-source 3 to female RCA connector VIDEO-3 of the video-harness V4C-VIDEO.
- ② Connect audio RCA of AV-source 1 to female RCA connectors AUDIO-1, the audio RCA of AV-source 2 to female RCA connectors AUDIO-2 and audio RCA of AV-source 3 to female RCA connectors AUDIO-3 of the audio-harness V4C-AUDIO.
- ③ Using the respective STA-xxx IR-control cable, interconnect the blue-black (yellow-black) female 3pin AMP connector of harness V4C-BM03 and the IR-port of the AV-

source 1 (AV-source 2). If 3 AV-sources are connected, connect the optionally available IR-control cable STA-Y between the blue-black female 3pin AMP connector and the IR-ports of the AV-sources 1 and 3.

3.5.2. After-market front camera

3.5.2.1. Connection to the after-market front camera



- ① Connect the video RCA of the after-market front camera to the female RCA connector VIDEO-3 of the video-harness V4C-VIDEO.
- ② The green wire of harness V4C-BM03 can be used for +12V electric power supply (max. 1A) of the after-market front camera. Configure in the OSD-menu "MISC", menu item "POWER OUT 2" the designated electric power supply (see chapter "Configurable switching outputs").



Note: The after-market front camera is always connected to AV3.

3.5.2.2. Settings for connecting an after-market front camera

You have to configure some settings in the OSD-menus INPUTS and MISC if you want to connect an after-market front camera (Operation of the OSD: see chapter “OSD-Operation”).

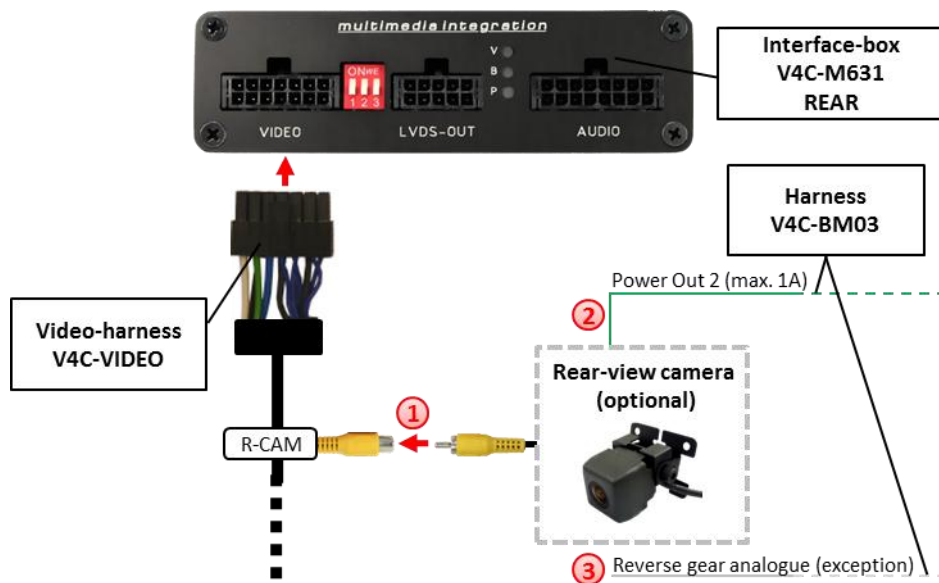


OSD-menu	Menu item	Setting	Explication
INPUTS	AV3	OFF	The front camera is connected to AV3
	FRONT CAM	OFF	No front camera connected
		ON	Switches to front camera if parking process is enabled and reverse gear is released
	ReverseLogic	Intelligent	For vehicles with PDC button. Enabled while parking process and up to 20 km/h or together with PDC if existing
		Gear only	For vehicles without PDC button. Enabled while parking process and up to 20 km/h.
MISC	OEM PDC CAR	Horizontal	PDC-display of the vehicle is horizontal
		Vertical	PDC-display of the vehicle is vertical

Note: You can deactivate the enabled parking process by pressing the iDrive or by enabling other modes (e.g. radio). After deactivation you can't enable the parking process again until the vehicle is driving faster than 20km/h, the ignition is switched off and on or the PDC will be disabled and enabled again, if existing.

3.5.3. After-market rear-view camera

3.5.3.1. Connection to the after-market rear-view camera



① Connect the video RCA of the after-market rear-view camera to the female RCA connector of the video-harness V4C-VIDEO.

② The green wire of harness V4C-BM03 can be used for +12V electric power supply (max. 1A) of the after-market rear-view camera. Configure in the OSD-menu “MISC”, menu item “POWER OUT 2” the designated electric power supply (see chapter “Configurable switching outputs”).



③ On some vehicles the reverse light signal doesn't exist on the CAN-bus. Connect the white wire of harness V4C-BM03 to reverse light signal (+12V of reverse light) if the interface doesn't switch to the rear-view camera automatically after the described OSD-setup (see next chapter).

3.5.3.2. Settings for connecting an after-market rear-view camera

You have to configure some settings in the OSD-menus INPUTS and MISC if you want to connect an after-market rear-view camera (Operation of the OSD: see chapter “OSD-Operation”).

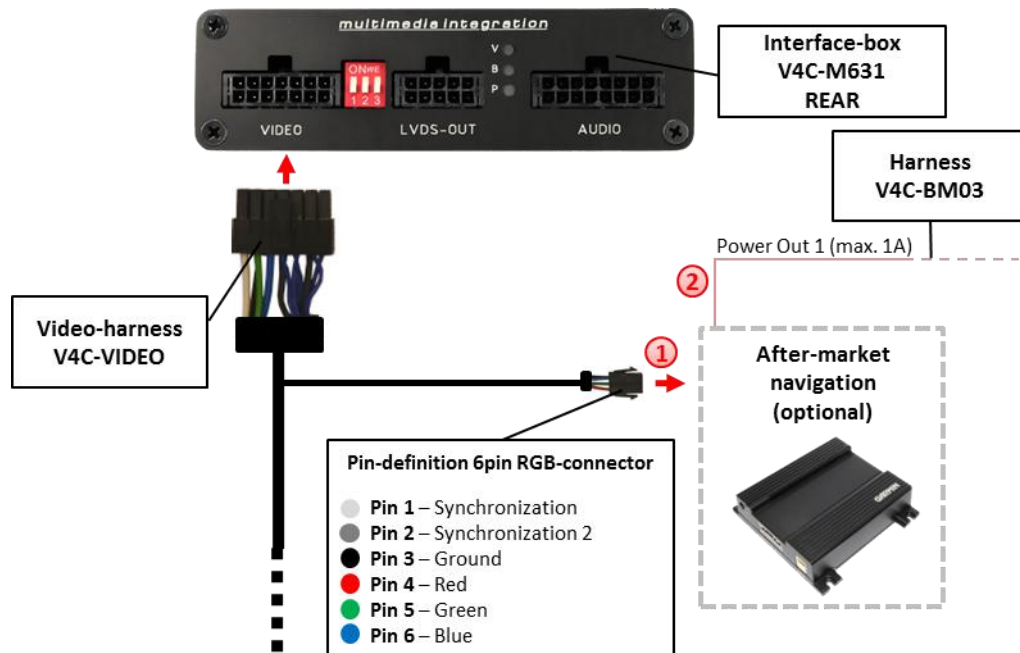


OSD-menu	Menu item	Setting	Explication
INPUTS	REAR CAM	OFF	No rear-view camera connected
		ON	Switches to rear-view camera if reverse gear is engaged and/or PDC-display is displayed
		OEM	If a factory rear-view camera is existing! interface turns off, if PDC or reverse gear is enabled and it displays factory rear-view camera and/or PDC-display
	ReverseLogic	Intelligent	For vehicles with PDC button. Enabled while parking process and up to 20 km/h or together with PDC if existing
		Gear only	For vehicles without PDC button. Enabled while parking process and up to 20 km/h.
MISC	OEM PDC CAR	Horizontal	PDC-display of the vehicle is horizontal
		Vertical	PDC-display of the vehicle is vertical

Note: You can deactivate the enabled parking process by pressing the iDrive or by enabling other modes (e.g. radio). After deactivation you can't enable the parking process again until the vehicle is driving faster than 20km/h, the ignition is switched off and on or the PDC will be disabled and enabled again, if existing.

3.5.4. After-market navigation

3.5.4.1. Connection to the after-market navigation by RGB



- ① Connect the male 6pin connector of the video-harness V4C-VIDEO to the after-market navigation.
- ② The pink wire of harness V4C-BM03 can be used for +12V switching voltage (max. 1A) of the after-market navigation. Configure in the OSD-menu MISC, menu item POWER OUT 1 to "Ext. Navi" (see chapter "Configurable switching outputs").



Note: It is possible to connect the after-market navigation to an AV-input alternatively.

3.5.4.2. Settings for connecting an after-market navigation by RGB

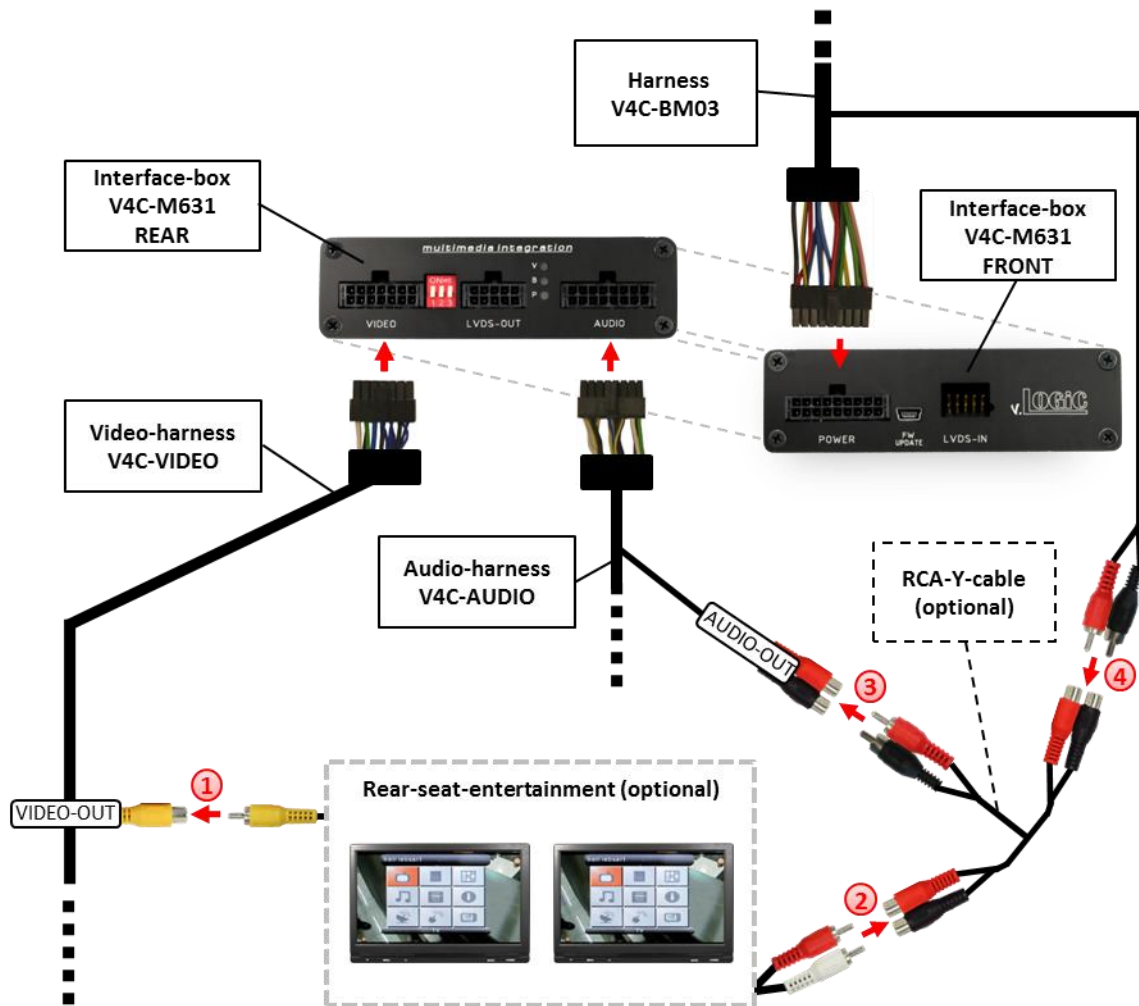
You have to configure some settings in the OSD-menu INPUTS if you want to connect an after-market navigation (Operation of the OSD: see chapter “OSD-Operation”).



OSD-menu	Menu item	Setting	Explication
INPUTS	EXT. NAVI	OFF	No after-market navigation connected
		ON	After-market navigation connected by RGB

Note: You can switch directly to a connected after-market navigation (only possible for vehicles with 8-button iDrive) by pressing the NAV button (video only).

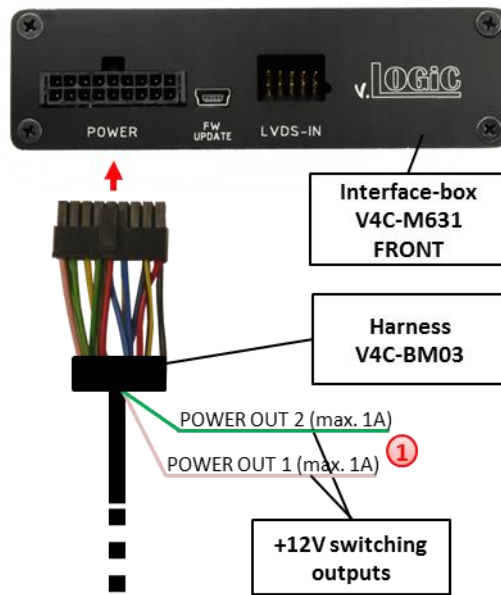
3.5.5. Rear-seat-entertainment



- ① Connect the video RCA of the rear-seat-entertainment to the female RCA connector VIDEO-OUT of video-harness V4C-VIDEO.
- ② Connect the audio-RCA of the rear-seat-entertainment to the female RCA connectors of the optional RCA-Y-cable.
- ③ Connect the audio RCA of the optional RCA-Y-cable to the female RCA connectors AUDIO OUT of the audio-harness V4C-AUDIO.
- ④ Connect the audio RCA of harness V4C-BM03 to the female RCA connectors of the optional RCA-Y-cable.

Note: The last source keeps active on rear-seat-entertainment if you switch the navigation to OEM mode.

3.5.6. Configurable trigger outputs



① You can configure the both +12V trigger outputs separately. The pink wire is POWER OUT 1 and the green wire is POWER OUT 2.

Note: You can configure the both trigger outputs in the OSD-menu MISC separately (Operation of the OSD: see chapter “OSD-Operation”).



OSD-menu	Menu item	Setting	Explication
MISC	POWER OUT1 (pink) POWER OUT2 (green)	CAN	+12V when the interface is on (red LED on)
		Ignition	+12V when ignition is on
		RearCam	+12V when the rear-view camera input (AV4) is activated
		Ext. Navi	+12V when an after-market navigation is configured and the RGB input is activated
		Reverse Gear	+12V when reverse gear is engaged
		AUX Switch	+12V when interface video-source is active (for external audio switch)
		OFF	Trigger putput deactivated

3.6. Picture settings

3.6.1. Picture format

You can change the picture format in each AV mode by **press and hold** the **iDrive "OK" button** and **simultaneously moving** the **iDrive knob to right**.

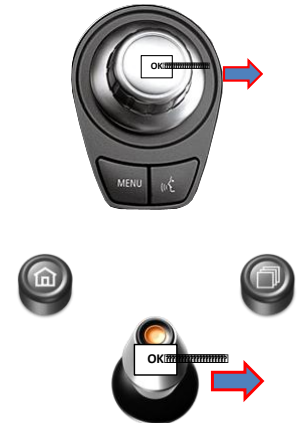
The following options are available:

8.8" 24:10 ultrawide monitor:

- FULL = 24:10 full screen mode
- Zoom = 24:10 full screen mode zoom
- 16:9 = 16:9 picture central
- 4:3 = 4:3 picture central
- AV + LVDS = 16:9 picture on left side, factory picture on right side

6.5" 16:9 monitor:

- FULL = 16:9 full screen mode
- ZOOM = 16:9 full screen mode zoom
- 4:3 = 4:3 picture central



Note: The picture format will be retained for each AV-source separately.

3.6.2. Picture settings

You can change the picture settings in the OSD-menu IMAGE (Operation of the OSD: see chapter "OSD-Operation").



- Brightness
- Contrast
- Saturation
- Hue
- Sharpness

Note: The picture settings will be retained for each AV-source separately.

4. Operation

4.1. OSD – On-screen display

You can change the basic configurations of the interface in the OSD (on screen display).

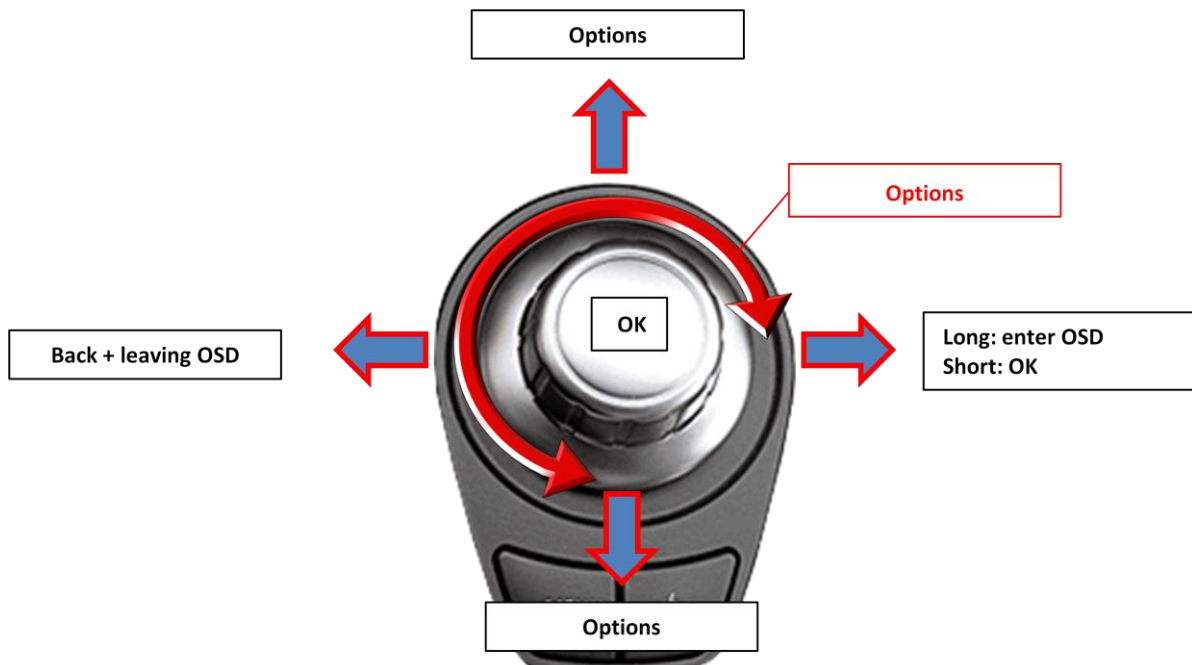


4.1.1. OSD – Operation

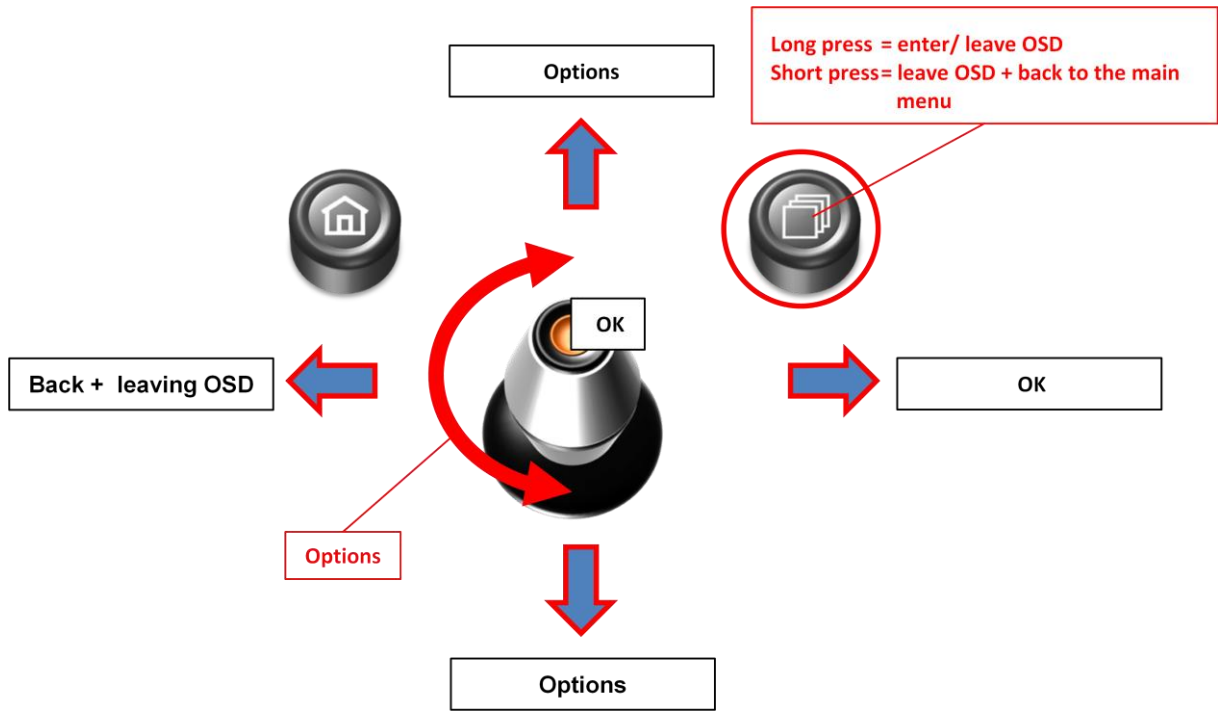
You can control the OSD by iDrive.

4.1.1.1. 1- and 2-button iDrive

On vehicles with 1- and 2-button iDrive it is only possible to select the OSD in the factory modes (radio, navi,...)!!!



4.1.1.2. 2-button iDrive in Mini



4.1.2. OSD – Additional setting options

The following settings in the OSD-menus OSD and MISC can be configured over and above the described settings in this manual (Operation of the OSD: see chapter “OSD-Operation”):



OSD-menu	Menu item	Setting	Explication
	H POSITION	0-xxx	Horizontal position of the OSD
	V POSITION	0-xxx	Vertical position of the OSD
MISC	VERSION	X.XX.XX	Displays the current SW-version
	FACTORY RESET		Resetting to factory settings

4.2. Video-in-motion function

It is possible to activate and deactivate the video-in-motion in the OSD menu “MISC” (Operation of the OSD: see chapter “OSD-Operation”).



OSD-menu	Menu item	Setting	Explication
MISC	VIM	ON	Video-in-motion activated
		OFF	Video-in-motion deactivated

4.3. Selecting the interface as current AV-source



In **BMW** in the vehicle's **Entertainment** menu activate **AUX** and in **Mini** in the vehicle's **CD/Multimedia** menu, activate **AUX front** by iDrive and after it **long press MENU** button (1- and 2-button iDrive + Mini) to choose the interface as current AV-source.

Alternative activation for the 8" CCC system:

In **BMW** in the vehicle's **Entertainment** menu activate **AUX** menu, activate **AUX front** by iDrive, press briefly the **MENU** button (1- and 2-button iDrive) for return to main menu and after it press **long iDrive knob to south** to choose the interface as current AV-source.

Short press CD button respectively **MENU** button to switch the AV-sources. Each short press will switch to the next enabled input. If all inputs are enabled the order is:

Factory-video → AV1 → AV2 → AV3 → AV4 (R-CAM) → RGB → *factory-video* →...

Inputs which are not enabled are skipped.

4.4. Assigning device controls

You can assign the device controls in the OSD-menu **INPUTS** (Operation of the OSD: see chapter "OSD-Operation"). Assign related IR-codes AV1 for AV-source 1, AV2 for AV-source 2 and AV3 for AV-source 3 as described in device control table (see appendix A)

V LOGIC		Caraudio-Systems	
IMAGE	AV1	IR41	
INPUTS	AV2	IR9	
OSD	AV3	OFF	
MISC	EXT.MAVI	OFF	
	REARCAM	ON	
	FRONTCAM	ON	
	REVERSE LOGIC	Gear only	

Note: The IR-control channel AV1 is preset to IR-Code 41 compatible DVB-T tuners

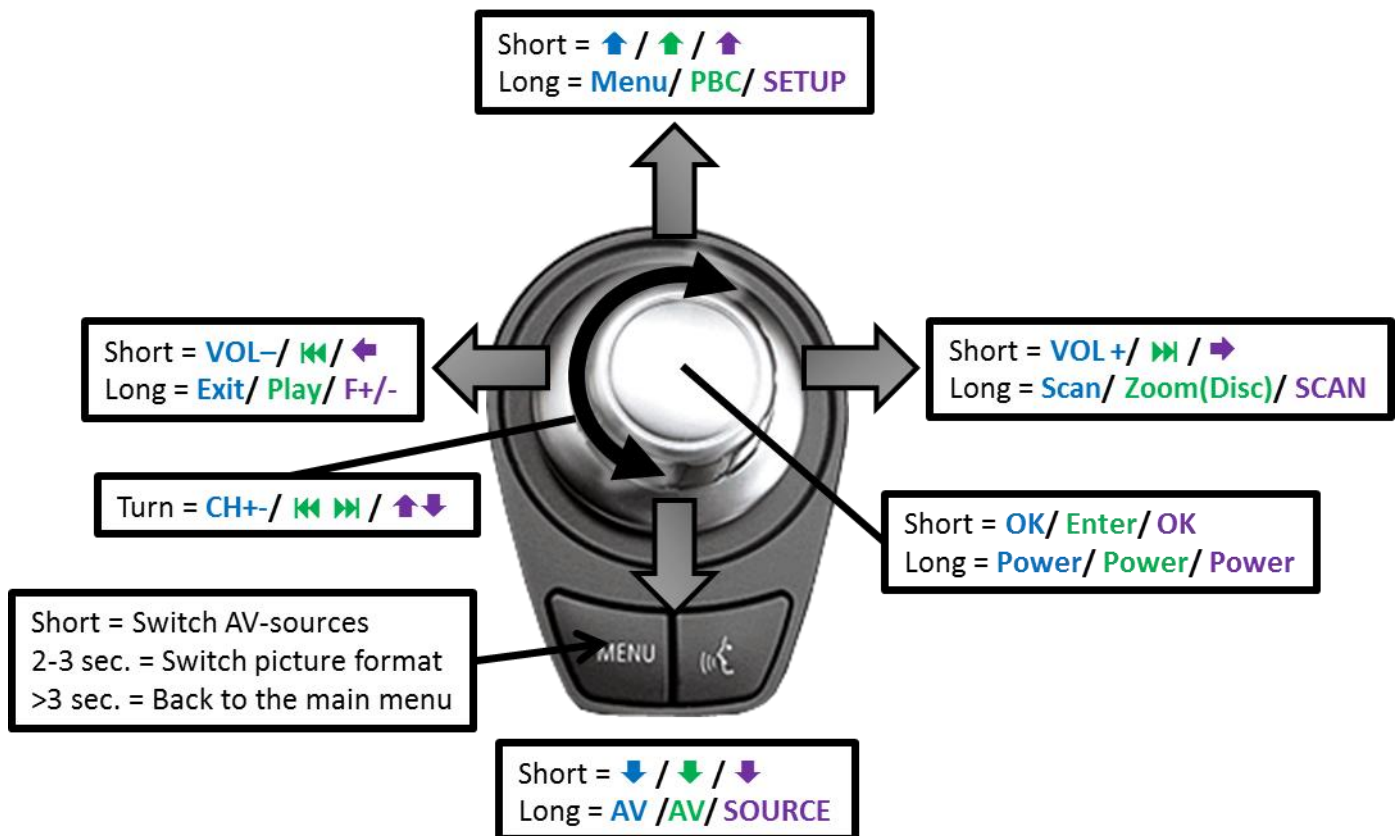
If you connect an AV-source without control you have to assign any IR code for the respective AV-input (AV1/2/3) because in the setting „OFF“ there is no picture visible.

4.5. Controlling of the connected AV-sources

The picture shows which functions of the connected devices can be executed by iDrive. Once an AV-input is activated the iDrive action will execute the function described in the picture. The function description equals the remote control buttons of the device's remote control. On the additional device the writing on the remote control buttons may vary (e.g. AV instead of Source).

4.5.1.1. Controlling by 1- and 2-button iDrive

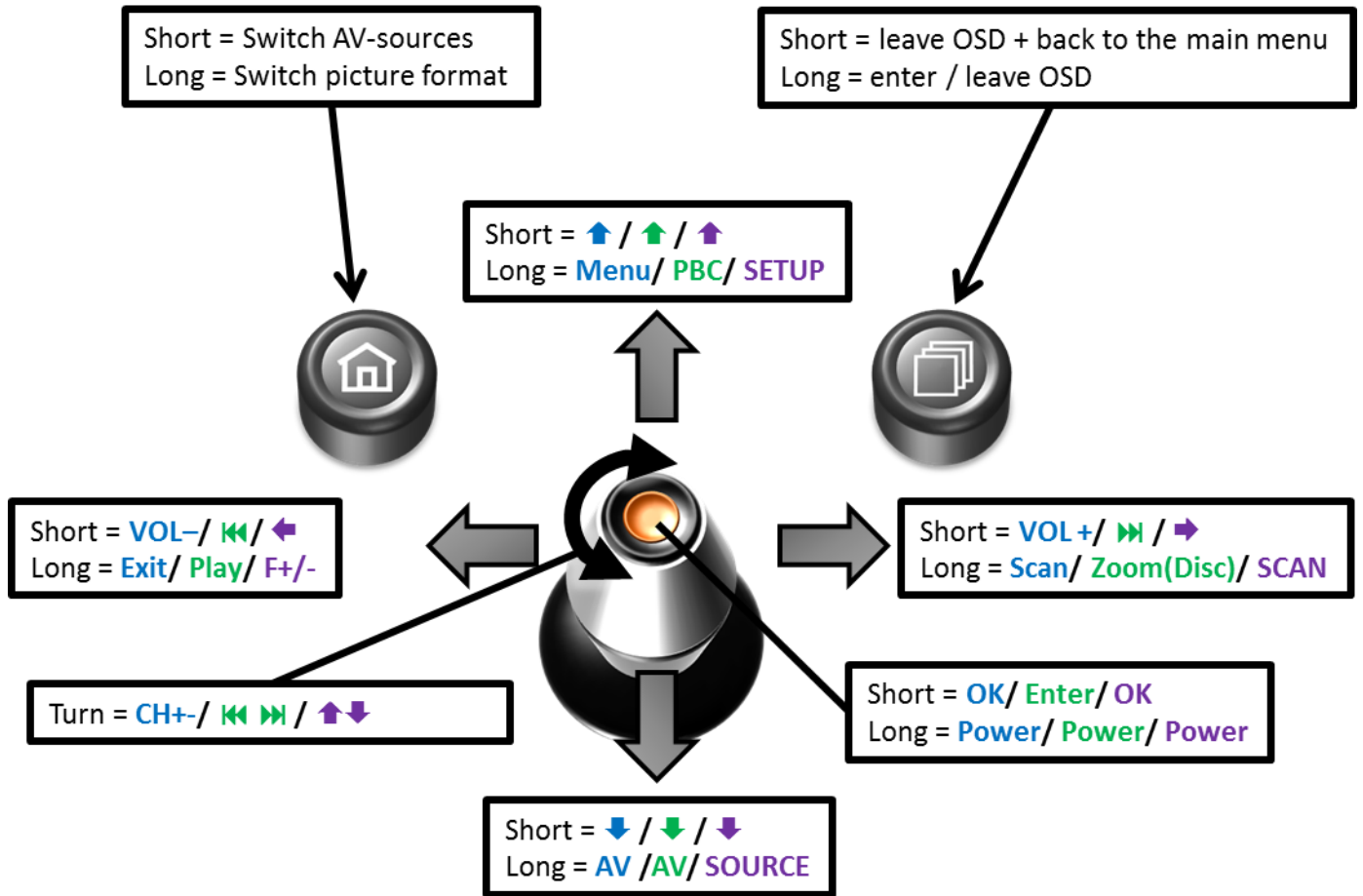
Controlling of AV-sources: DVB-T / DVD / DAB



Note: A few functions could be different on some connected devices.

4.5.1.2. Controlling by 2-button iDrive in Mini

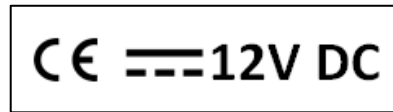
Controlling of AV-sources:
DVB-T / DVD / DAB



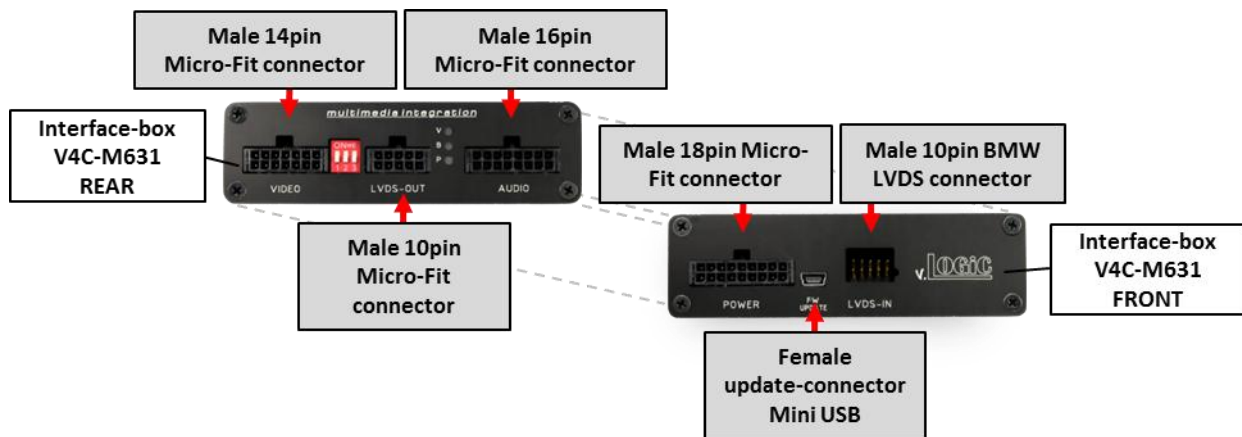
Note: A few functions could be different on some connected devices.

5. Specifications

Operation voltage	10.5 – 14.8V DC
Stand-by power drain	<0,1mA
Operation power drain	190mA
Power consumption	2,6W
Temperature range	-20°C to +80°C
Weight (box only)	285g
Measurements (box only) B x H x T	141 x 30 x 105 mm



6. Connections (interface-box)



Legal disclaimer: Mentioned company and trademarks, as well as product names/codes are registered trademarks ® of their corresponding legal owners.