

INSTALLATION MANUAL

Content

1. INTRODUCTION	2
2. RECOMMENDATIONS	2
3. SCHEME OF CONNECTIONS	4
4. BASIC TECHNICAL PARAMETERS	5
5. ELEMENTS SET	5

1. INTRODUCTION

AMI-V4 module is a modern microprocessor device which allows to play audio files from **USB** stick, **iPod**, **iPhone** in cars equipped with audio – visual system (AUDI MMI 2G).

This device support audio files in MP3 format from USB socket and files in IPOD, IPHONE format from IPOD 30PIN socket.

Both sticks can be connected in the same time with possibility of fast switching audio source.

Adaptation plug & play connection system allows in fast and easy way connection device to car multimedia system.

2. RECOMMENDATIONS

Copyright

All assembly and operating instructions are protected by copyright. Distributing documentation via print or online media is only allowed with the prior consent of JUNA electronics.

Important

Please read installation manual very careful and keep it in right way. During installation, pay attention to all relevant aspects related to safety of installation and use of the device.

The priority during the design and production of all devices by JUNA electronics company is security and service comfort. It has been achieved by applying the modern techniques of design and production processes of electronic devices.

Module should be installed in technical workshops by qualified personnel or by people who have experience in this type of installations. Installation of devices by not qualification people can cause injury to persons or damage to property.

2.2 RECOMMENDATIONS

It is recommended keep to the general safety rules and pay attention for any threat that can cause of damage to the vehicle.

We advice to mount device in safety place, where it is not exposed for moisture, water or too high temperatures.

Device should not be installed in places where it could difficult safe driving or operating efficiency of other units installed in vehicle.

The devices can be connected only to 12V. Modules can't be used in vehicles with 24V and higher voltage.

Please note that most of our devices are based on software that may require an update. That's why you should always mount the device in easily available place in the vehicle.

In some countries it may be necessary to check the legal provisions before installation and startup of the device. In the interest of high quality and development of our products, JUNA Electronics reserves the right to make technical changes.

In the case of a warranty claim, the device should be sent back to the seller in original packaging with a detailed description of the problem with attached purchase invoice.

Warranty claims as well as exploitation rights expire due:

- A) Not authorized changes in devices or accessories, which have not been approved or have not been provided by the manufacturer or his partners.
- B) Opening the device's box.
- C) Yourself repair the device.
- D) Improper use / improper operation of the device
- E) Mechanical damage (drop, intentional damage, accident etc.)
- F) Flooding with water or other liquids

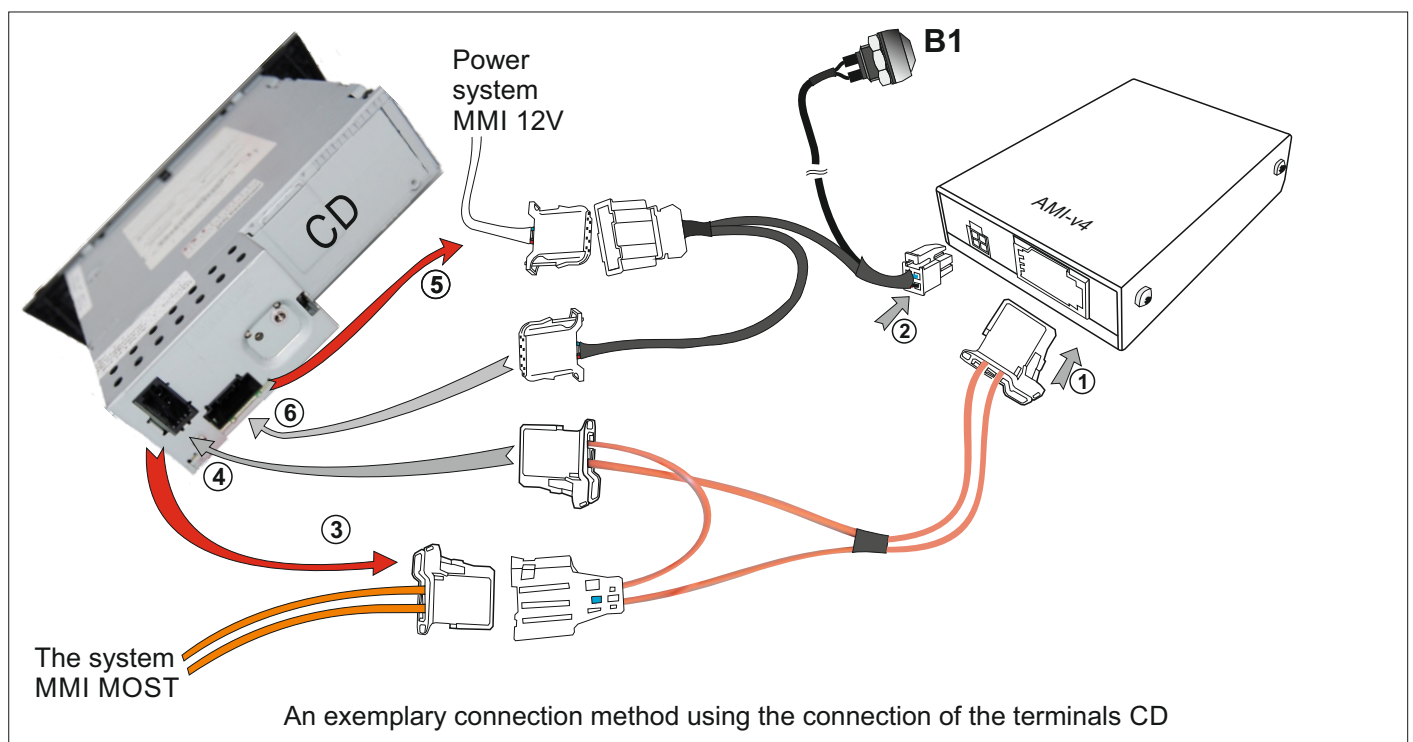
3. SCHEME OF CONNECTIONS

Picture and description included below is only a symbolic of connection diagram interface AMI-V4 to audio-visual system MMI 2G.

Correct installation of device in car needs removal of glove compartment.

All operations of installing , dismantling, disconnecting, switching bundle should be performed after switching off the ignition and MMI system.

1. Turn off the ignition and MMI system.
2. Connect plug from fiber optic cluster and plug from electrical bundle to AMI-V4 module. *Point ① , ②*
3. Disconnect the fiber optic plug from CD and connect it to socket in fiber optic cluster. *Point ③*
4. In place of disconnected plug of fiber optic connector connect a second plug of fiber optic cluster. *Point ④*
5. Remove a supply plug from CD and connect it to a socket from AMI-V4 bundle. *Point ⑤*
6. In the place of removed supply plug connect a plug from AMI-V4 bundle to CD. *Point ⑥*
7. Turn the ignition on and start up the MMI system.
8. **Warning!!!** Controlling of AMI-V4 device is supported through MMI control panel.



4. BASIC TECHNICAL PARAMETERS

1. Supply voltage	- 12V
2. Current consumption in active state	- 75mA
3. Current consumption in standby mode	- 13mA
4. Maximum current consumption from USB	- 500mA
5. Maximum current consumption from iPod 30pin	- 800mA
5. Communication and control	- MOST bus
6. Housing	- Metal
7. Dimensions	- 94mm x 73mm x 24mm
8. Weight	- 197g

5. ELEMENTS SET

1. Control unit	- AMI-V4
2. Connection cable	- W-AMI101
3. Fiber optic splitter MOST	- K-SW101
4. Connection cable for iPod 30pin	- K-iPod02

